

13,2kWh, 662V



SUPPORTED VEHICLES

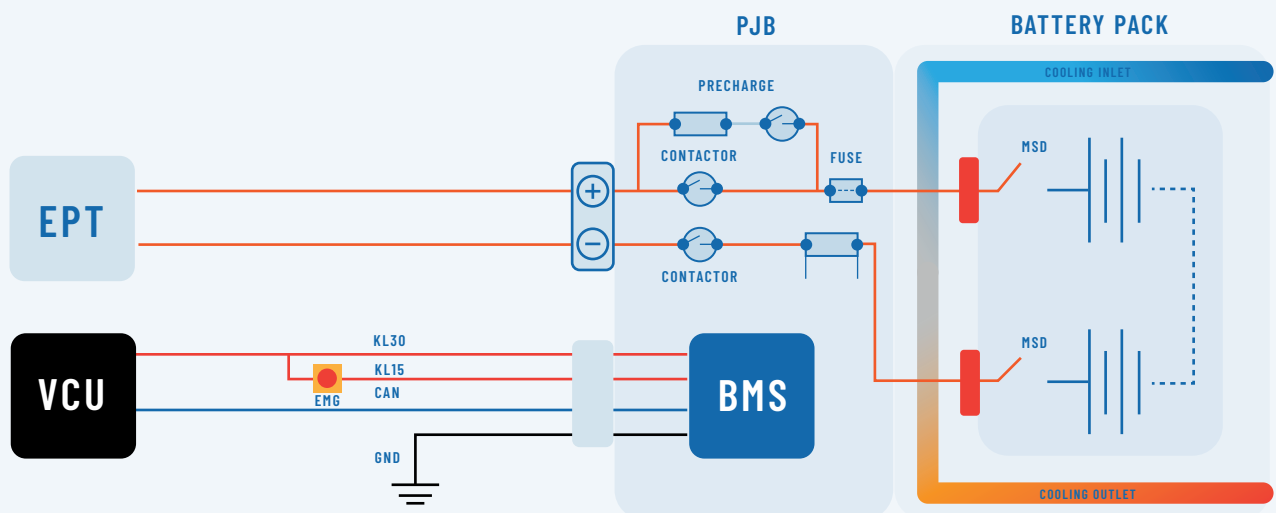


SYSTEM FEATURES

- + Bus, truck, light commercial mini bus, construction machines, agriculture and ground support equipment application
- + Freely scalable and robust structure
- + Common PJB (Pack Junction Box) for all products
- + Efficient liquid cooling system
- + CANBus 2.0A-B communication protocol
- + Integrated BMS (Battery Management System)
- + Integrated precharge circuit and isolation measurement
- + IATF 16949:2016, ECER100.2, ECER10.6 and UN38.3 certifications
- + Lloyd certification (2024-Q3)
- + Compatible design according to ISO 26262 up to ASIL C - possible



BATTERY PACK LAYOUT



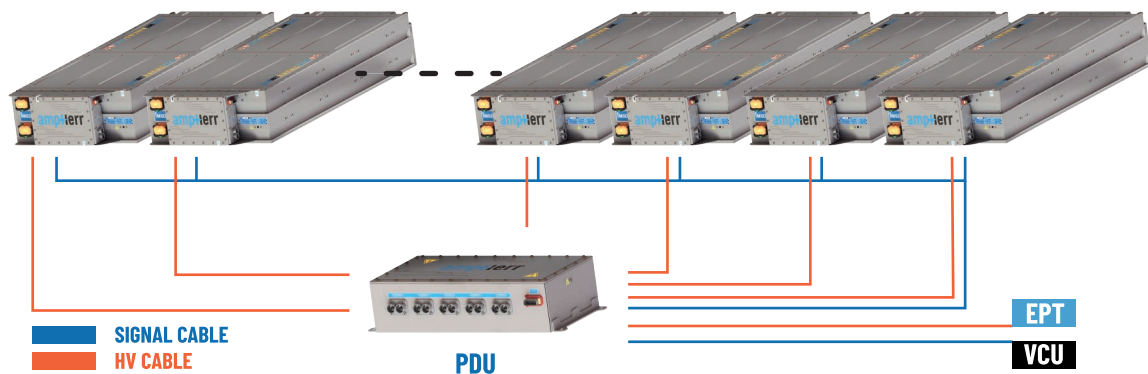
ELECTRICAL SPECIFICATIONS

| | VALUE | UNIT |
|---|---------------|-------|
| Cell Chemistry | LT0 | |
| Installed Energy @1/3C | 13,2 | kWh |
| Energy Density @1/3C | up to 50 | Wh/kg |
| Capacity @1/3C | 20 | Ah |
| Nominal Voltage | 662 | V |
| OCV Range @ 10-90% SoC | 608 - 711 | V |
| Min-Max Voltage Range | 432 - 778 | V |
| Cont. Charge Current @ 25°C, SoC dependent, step charge | 180 | A |
| Peak Charge Current @ 25°C, SoC dependent | 377 | A |
| Cont. Discharge Current @ 25°C, SoC dependent | 180 | A |
| Peak Discharge Current @ 25°C, SoC dependent | 377 | A |
| Cycle Life (based on user power profile, DoD and temp.) | > 20000 | cycle |
| Communication Protocol | CANBus 2.0A-B | |
| Supply Voltage for Control Equipment | 12/24 | V |

MECHANICAL SPECIFICATIONS

| | VALUE | UNIT |
|--|----------------|-------|
| Cooling Type | Liquid Cooling | |
| Flow Rate | 10-15 | l/min |
| Pressure Drop @10l/min and 25°C | < 300 | mbar |
| Coolant Operating Pressure | < 2 | bar |
| Operating Temperature @discharge | -30 ~ 55 | °C |
| Operating Temperature @charge | -30 ~ 55 | °C |
| Recommended Operating Temperature | 15 ~ 35 | °C |
| Storage Temperature | -40 ~ 60 | °C |
| IP Rating (when the plug connectors are mated) | IP67 | |
| Weight (based on the type of module) | 264 | kg |
| Dimensions-2V16 (L x W x H) | 960x690x285 | mm |

MULTIPLE BATTERY SYSTEM



LT0-700-013 / 05.2.024

AMPHERR AG

Sperberweg 18
41468 Neuss
sales@ampherr.com

ampherr

Redefinition of Current!