

## 79kWh, 662V



### SUPPORTED VEHICLES

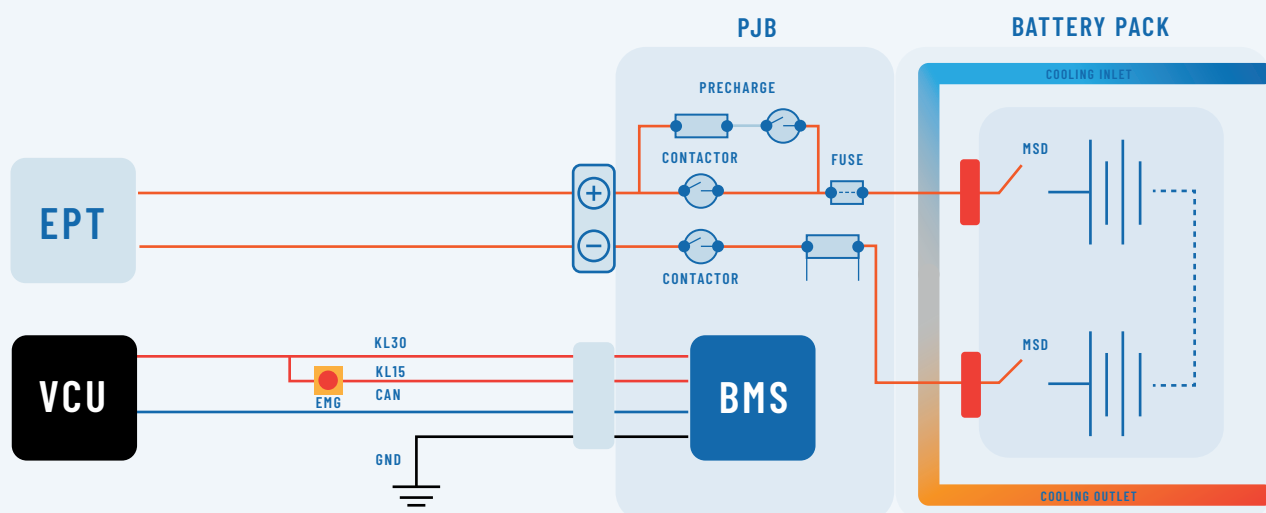


### SYSTEM FEATURES

- + Bus, truck, light commercial mini bus, construction machines, agriculture, marine and ground support equipment application
- + Freely scalable and robust structure
- + Common PJB (Pack Junction Box) for all products
- + Efficient liquid cooling system
- + CANBus 2.0A-B communication protocol
- + Integrated BMS (Battery Management System)
- + Integrated precharge circuit and isolation measurement
- + IATF 16949:2016, ECER100.2, ECER10.6 and UN38.3 certifications
- + Lloyd certification (2024-Q3)
- + Compatible design according to ISO 26262 up to ASIL C - possible



### BATTERY PACK LAYOUT



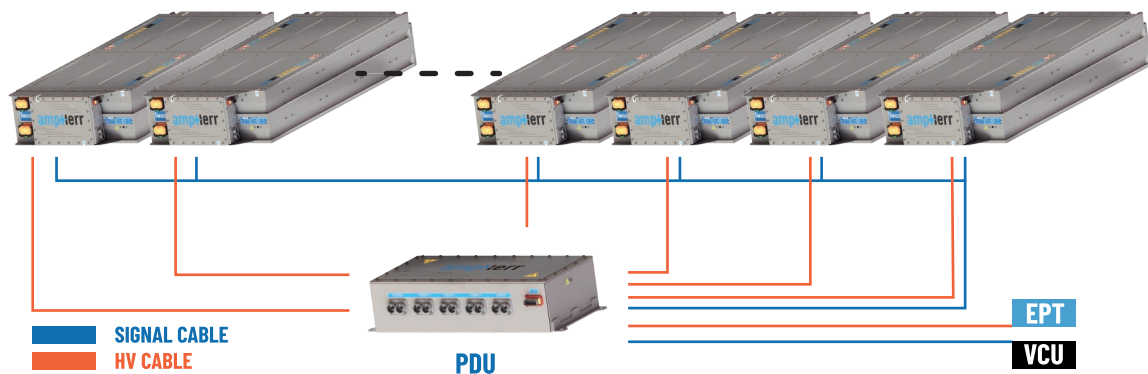
## ELECTRICAL SPECIFICATIONS

	VALUE	UNIT
Cell Chemistry	NMC	
Installed Energy @1/3C	79,0	kWh
Energy Density @1/3C	up to 178	Wh/kg
Capacity @1/3C	117	Ah
Nominal Voltage	662	V
OCV Range @ 5-95% SoC	626 - 767	V
Min-Max Voltage Range	504 - 792	V
Cont. Charge Current @ 25°C, SoC dependent, step charge	200	A
Peak Charge Current @ 25°C, SoC dependent	377	A
Cont. Discharge Current @ 25°C, SoC dependent	228	A
Peak Discharge Current @ 25°C, SoC dependent	377	A
Cycle Life (based on user power profile, DoD and temp.)	> 2000	cycle
Communication Protocol	CANBus 2.0A-B	
Supply Voltage for Control Equipment	12/24	V

## MECHANICAL SPECIFICATIONS

	VALUE	UNIT
Cooling Type	Liquid Cooling	
Flow Rate	10-15	l/min
Pressure Drop @10l/min and 25°C	< 300	mbar
Coolant Operating Pressure	< 2	bar
Operating Temperature @discharge	-30 ~ 55	°C
Operating Temperature @charge	-20 ~ 55	°C
Recommended Operating Temperature	15 ~ 35	°C
Storage Temperature	-20 ~ 45	°C
IP Rating (when the plug connectors are mated)	IP67	
Weight (based on the type of housing)	445	kg
Dimensions-1F30 (L x W x H)	2050x1000x145	mm

## MULTIPLE BATTERY SYSTEM



NMC-700-079F / 05.2024

**AMPHERR AG**

Sperberweg 18  
41468 Neuss  
sales@ampherr.com

**ampherr**

Redefinition of Current!