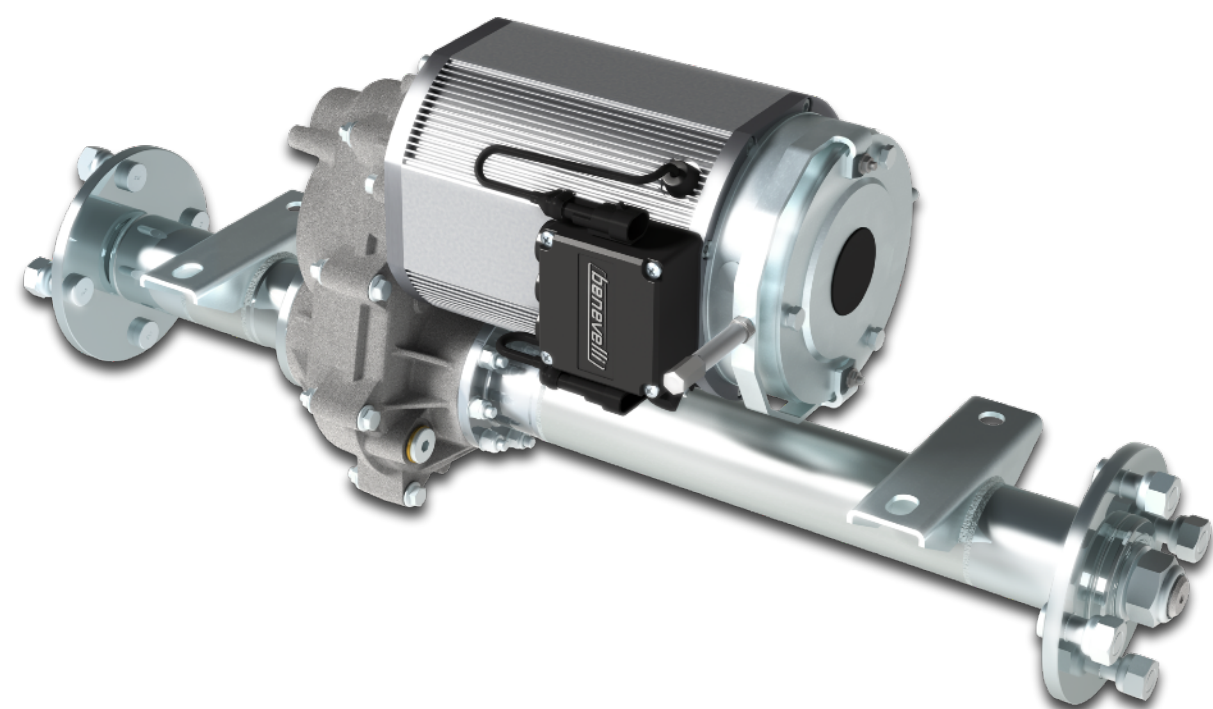
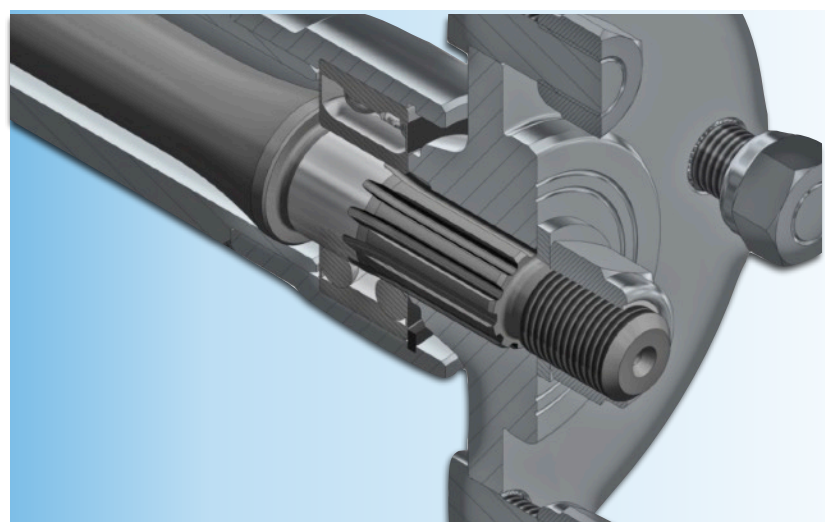


**TX1 PLUS SERIE - WHEEL HUBS VERSION**



3D VIEWER

**SEMI FLOATING AXLE**



**GEARBOX FEATURES**

|                         |     |  |
|-------------------------|-----|--|
| Gear Ratios             | i   | 6 - 10 - 12 - 16 - 19 - 22 - 24 - 28 - 32              |
| Output Torque           | Nm  | 500  |
| Input Speed (Max)       | Rpm | 7.000  |
| Static Load             | kg  | 500  |
| Axle Type               |     | Semi floating with double row angular contact bearings |
| Track-width             | mm  | 400 ÷ 1150   |
| Efficiency (Mechanical) | %   | 95   |
| Gears Finishing         |     | Class 5  |
| Differential Type       |     | Open type with four pinions                            |
| Differential Lock       |     | Mechanical (option)                                    |
| Service Brakes          |     | —  |
| Fixation System         |     | Mounting brackets                                      |
| Wheels Fitting          |     | Hub piloted 3 - 4 - 5 studs                            |

**ELECTRIC MOTOR FEATURES**

| Motor Type               |    | AMAC Serie - AC Induction            | SMAC Serie - PMAC (IPM)              |
|--------------------------|----|--------------------------------------|--------------------------------------|
| Power Range (Continuous) | kW | 0,6 ÷ 1,7                            | 1,5 ÷ 3,0                            |
| Power Range (Peak)       | kW | Up to 3,0                            | Up to 8,5                            |
| Rated Voltage            | V  | 24 ÷ 120                             | 24 ÷ 120                             |
| IP Rating                | IP | 20 - 54 - 66 - 67 - 6k9k             | 20 - 54 - 66 - 67 - 6k9k             |
| Motor Feedback           |    | Hall effect 64 pulse                 | SinCos (resolver option)             |
| Thermal Class            |    | F                                    | F                                    |
| Thermal Protection       |    | KTY 84-130                           | KTY 84-130                           |
| Connections              |    | Terminal box (flying cables option)  | Terminal box (flying cables option)  |
| Cooling                  |    | Self cooling (liquid cooling option) | Self cooling (liquid cooling option) |
| Parking/Safety Brake     |    | Electromagnetic                      | Electromagnetic                      |
| Braking Torque           | Nm | 6 ÷ 20                               | 6 ÷ 20                               |
| Manual Release           |    | Option                               | Option                               |