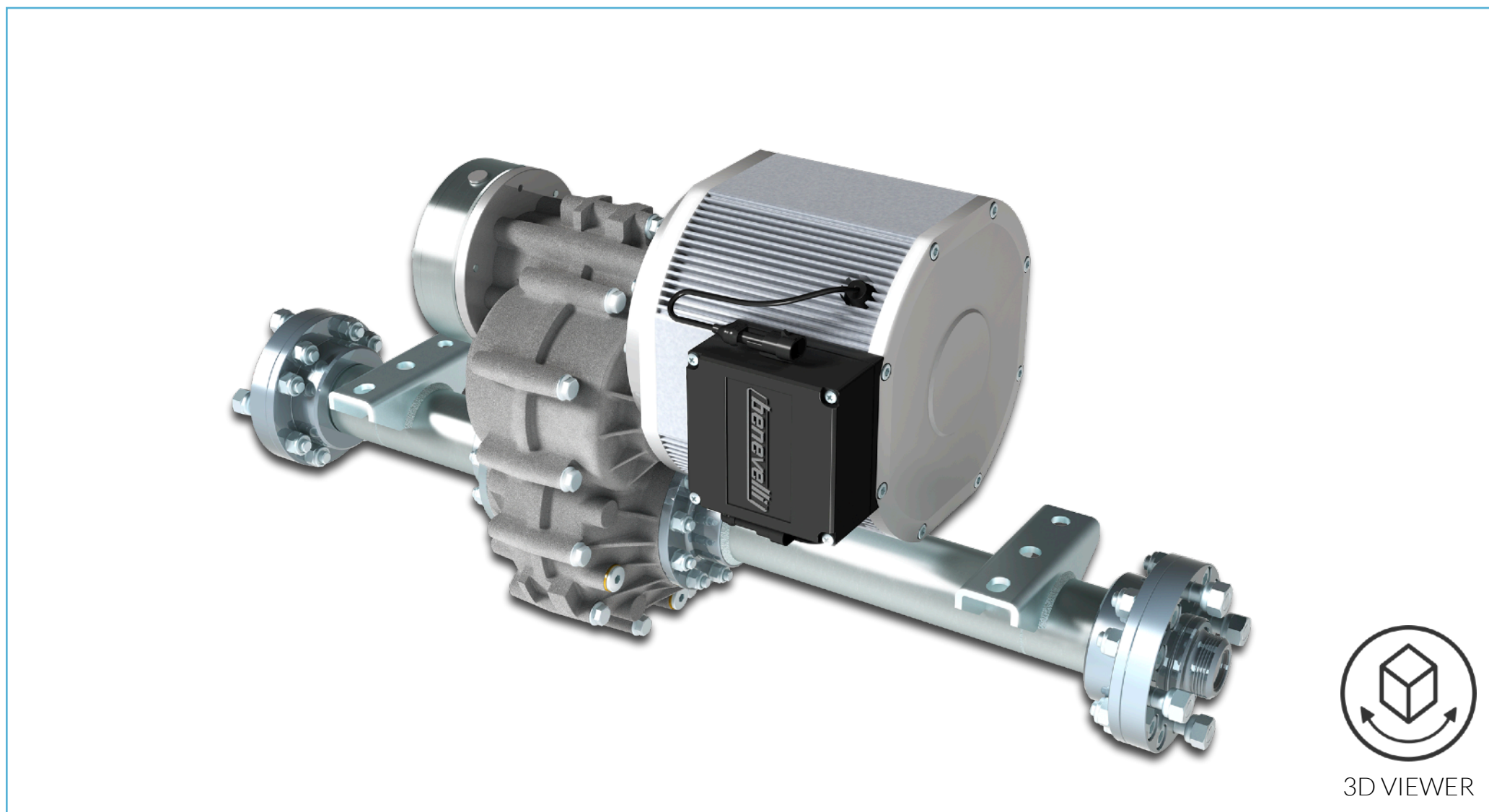
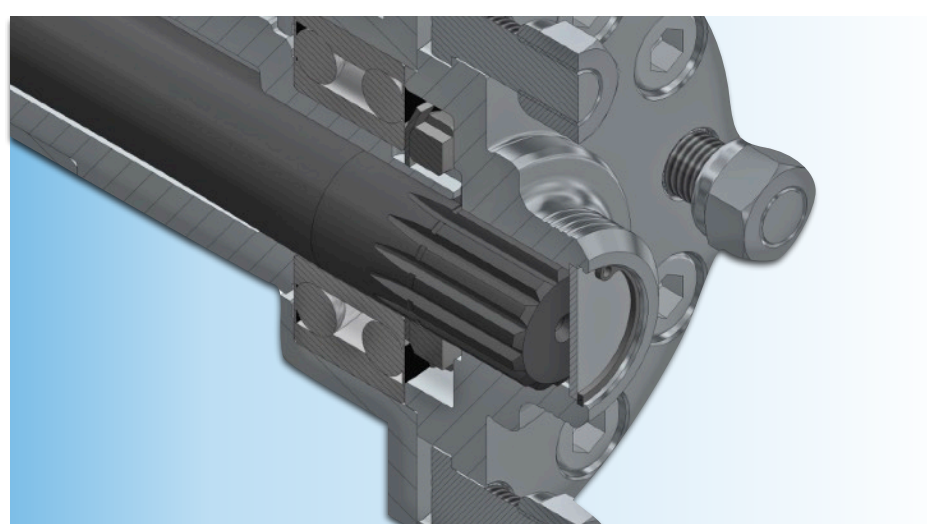


TX2 SERIE - WHEEL HUBS VERSION



FULL FLOATING AXLE



GEARBOX FEATURES

Gear Ratios	i	5 - 7 - 9 - 10 - 12 - 16 - 22 - 27 - 35 - 43 - 56 - 80
Output Torque	Nm	1.000
Input Speed (Max)	Rpm	7.200
Static Load	kg	1.000
Axle Type		Full floating
Track-width	mm	560 ÷ 1.988
Efficiency (Mechanical)	%	95
Gears Finishing		Class 5
Differential Type		Open type with four pinions
Differential Lock		Mechanical (option)
Service Brakes		—
Fixation System		Mounting brackets
Wheels Fitting		Hub piloted 4 - 5 studs

ELECTRIC MOTOR FEATURES

Motor Type		AMAC Serie - AC Induction	SMAC Serie - PMAC (IPM)
Power Range (Continuous)	kW	3,0 ÷ 10,0	5,0 ÷ 10,0
Power Range (Peak)	kW	Up to 15,0	Up to 15,0
Rated Voltage	V	24 ÷ 650	24 ÷ 650
IP Rating	IP	20 - 54 - 66 - 67 - 6k9k	20 - 54 - 66 - 67 - 6k9k
Motor Feedback		Hall effect 64 pulse	SinCos (resolver option)
Thermal Class		F	F
Thermal Protection		KTY 84-130	KTY 84-130
Connections		Terminal box (flying cables option)	Terminal box (flying cables option)
Cooling		Self Cooled or Liquid Cooled	Self Cooled or Liquid Cooled
Parking/Safety Brake		Electromagnetic	Electromagnetic
Braking Torque	Nm	20 ÷ 100	20 ÷ 100
Manual Release		Option	Option

CATALOG DRAWINGS ARE REPRESENTATIVE.
BEFORE FINAL DESIGN, REQUEST A CERTIFIED DRAWING.