

# Battery Pack NMC-700-119

118,8 kWh, 659V



2F24

ampHerr

## HOUSING TYPES



## SUPPORTED VEHICLES

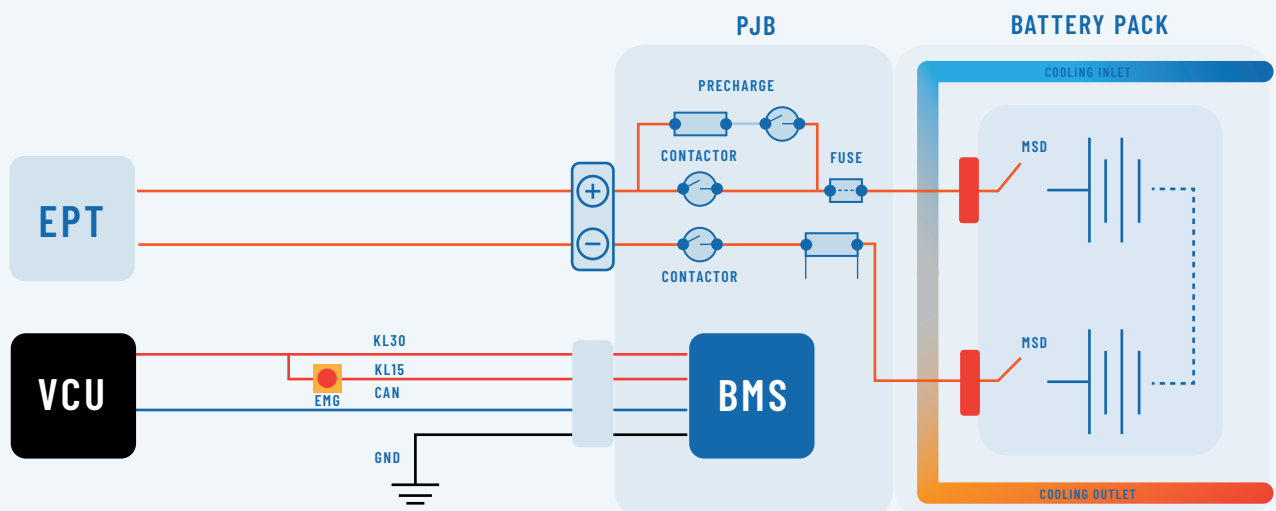


## SYSTEM FEATURES

- + Bus, truck, light commercial mini bus, construction machines, agriculture, marine and ground support equipment application
- + Freely scalable and robust structure
- + Common PJB (Pack Junction Box) for all products
- + Efficient liquid cooling system
- + CANBus 2.0A-B communication protocol
- + Integrated BMS (Battery Management System)
- + Integrated precharge circuit and isolation measurement
- + IATF 16949:2016, ECER100.2, ECER10.6 and UN38.3 certifications
- + Lloyd certification (2024-Q3)
- + Compatible design according to ISO 26262 up to ASIL C - possible



## BATTERY PACK LAYOUT



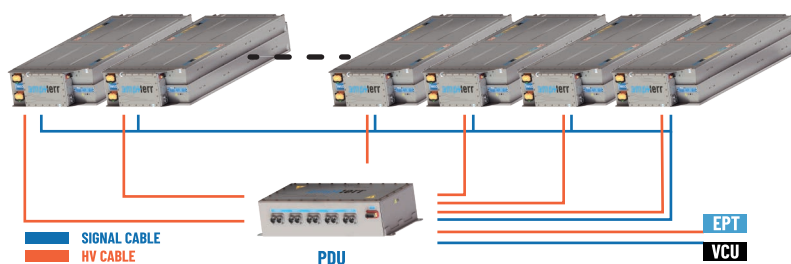
## ELECTRICAL SPECIFICATIONS

	VALUE	UNIT
Cell Chemistry	NMC	
Installed Energy @1/3C	118,8	kWh
Energy Density @1/3C	up to 175	Wh/kg
Capacity @1/3C	177	Ah
Nominal Voltage	659	V
OCV Range @ 5-95% SoC	625 - 761	V
Min-Max Voltage Range	504 - 783	V
Cont. Charge Current @ 25°C, SoC dependent, step charge	209	A
Peak Charge Current @ 25°C, SoC dependent	348	A
Cont. Discharge Current @ 25°C, SoC dependent	174	A
Peak Discharge Current @ 25°C, SoC dependent	379	A
Cycle Life (based on user power profile, DoD and temp.)	> 2000	cycle
Communication Protocol	CANBus 2.0A-B	
Supply Voltage for Control Equipment	12/24	V

## MECHANICAL SPECIFICATIONS

	VALUE	UNIT
Cooling Type	Liquid Cooling	
Flow Rate	10-15	l/min
Pressure Drop @10l/min and 25°C	< 300	mbar
Coolant Operating Pressure	< 2	bar
Operating Temperature @discharge	-30 ~ 55	°C
Operating Temperature @charge	-20 ~ 55	°C
Recommended Operating Temperature	15 ~ 35	°C
Storage Temperature	-30 ~ 55	°C
IP Rating (when the plug connectors are mated)	IP67	
Weight (based on the type of housing)	680 - 735	kg
Dimensions-2F24 (L x W x H)	1660x1000x285	mm
Dimensions-4V24 (L x W x H)	1330x690x570	mm
Dimensions-3H16 (L x W x H)	2075x600x428	mm
Dimensions-5L48 (L x W x H)	1090x790x713	mm
Dimensions-3V32 (L x W x H)	1710x690x428	mm

## MULTIPLE BATTERY SYSTEM



**AMPHERR AG**

Sperberweg 18  
41468 Neuss  
sales@ampherr.com