

## 36,4kWh, 695V



### SUPPORTED VEHICLES

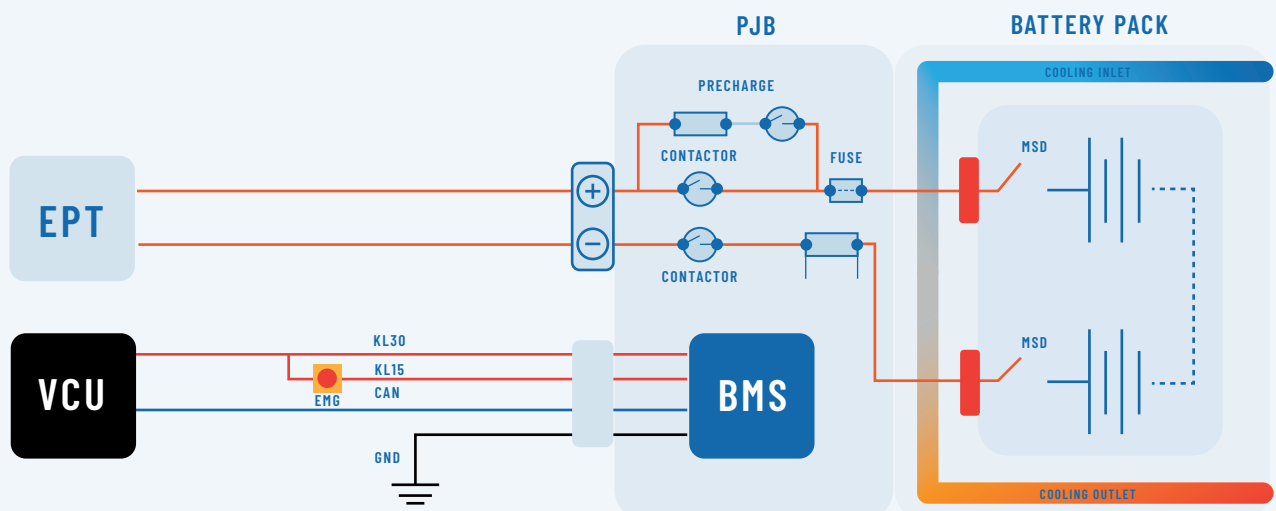


### SYSTEM FEATURES

- + Bus, truck, light commercial mini bus, construction machines, agriculture, marine and ground support equipment application
- + Freely scalable and robust structure
- + Common PJB (Pack Junction Box) for all products
- + Efficient liquid cooling system
- + CANBus 2.0A-B communication protocol
- + Integrated BMS (Battery Management System)
- + Integrated precharge circuit and isolation measurement
- + IATF 16949:2016, ECER100.2, ECER10.6 and UN38.3 certifications
- + Lloyd certification (2024-Q3)
- + Compatible design according to ISO 26262 up to ASIL C - possible



### BATTERY PACK LAYOUT



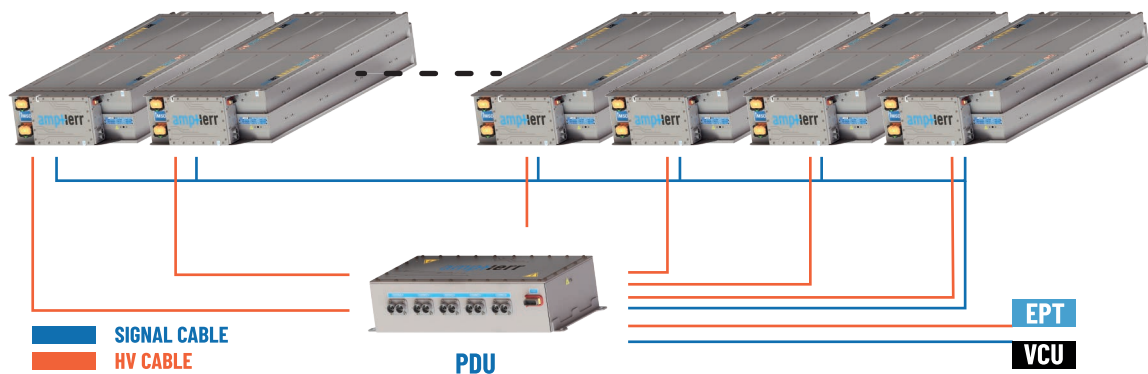
## ELECTRICAL SPECIFICATIONS

|   | VALUE         | UNIT  |
|---|---------------|-------|
| Cell Chemistry  | NMC           |       |
| Installed Energy @1/3C                                  | 36,6          | kWh   |
| Energy Density @1/3C                                    | up to 129     | Wh/kg |
| Capacity @1/3C  | 52            | Ah    |
| Nominal Voltage   | 695           | V     |
| OCV Range @ 5-95% SoC                                   | 655 - 789     | V     |
| Min-Max Voltage Range                                   | 538 - 806     | V     |
| Cont. Charge Current @ 25°C, SoC dependent, step charge | 51            | A     |
| Peak Charge Current @ 25°C, SoC dependent               | 153           | A     |
| Cont. Discharge Current @ 25°C, SoC dependent           | 153           | A     |
| Peak Discharge Current @ 25°C, SoC dependent            | 360           | A     |
| Cycle Life (based on user power profile, DoD and temp.) | > 2000        | cycle |
| Communication Protocol                                  | CANBus 2.0A-B |       |
| Supply Voltage for Control Equipment                    | 12/24         | V     |

## MECHANICAL SPECIFICATIONS

|  | VALUE          | UNIT  |
|--|----------------|-------|
| Cooling Type                                   | Liquid Cooling |       |
| Flow Rate                                      | 10-15          | l/min |
| Pressure Drop @10l/min and 25°C                | < 300          | mbar  |
| Coolant Operating Pressure                     | < 2            | bar   |
| Operating Temperature @discharge               | -30 ~ 55       | °C    |
| Operating Temperature @charge                  | -20 ~ 55       | °C    |
| Recommended Operating Temperature              | 15 ~ 35        | °C    |
| Storage Temperature                            | -30 ~ 55       | °C    |
| IP Rating (when the plug connectors are mated) | IP67           |       |
| Weight (based on the type of housing)          | 285            | kg    |
| Dimensions-2V16 (L x W x H)                    | 980x690x285    | mm    |

## MULTIPLE BATTERY SYSTEM



NMC-800-037 / 05.2024

**AMPHERR AG**

Sperberweg 18  
41468 Neuss  
sales@ampherr.com

**ampherr**

Redefinition of Current!